



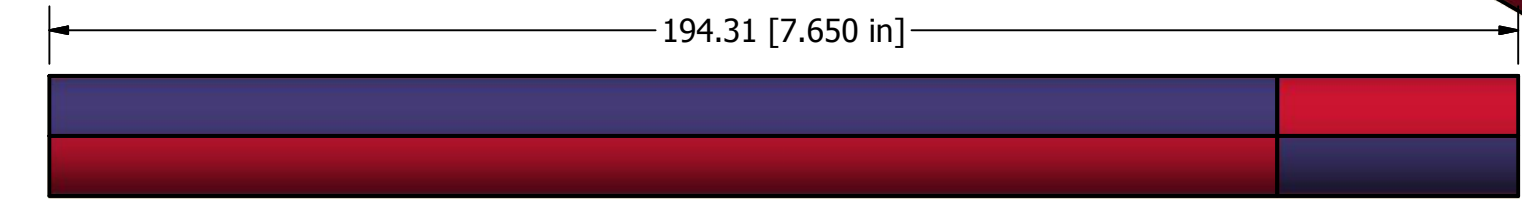
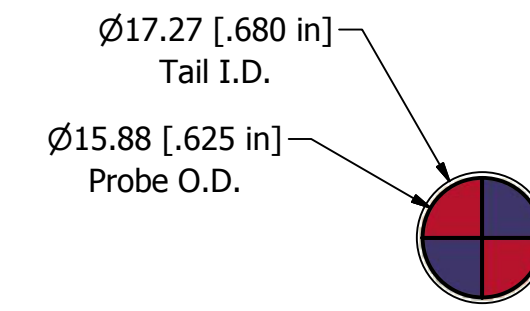
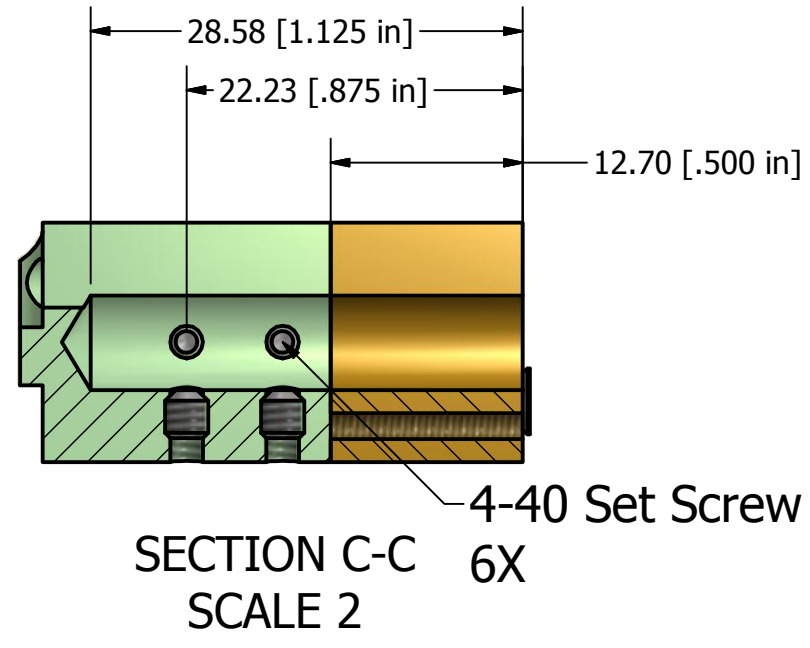
45T Hybrid Magnet System E

Probe #3

Units in Millimeters [Inch]

4x Lakeshore Type SS Coax
40 Ω Impedance
23.62 Ω /m Conductor Resistance
173.9 pF/m Capacitance

2x W.L. Gore CXN 3369 Coax
50 Ω Impedance
2.5 Ω /m Conductor Resistance
92 pF/m Capacitance
(Tinned and Unterminated)
Under Teflon Wrap



Your Sample Stage May be No Larger than This

