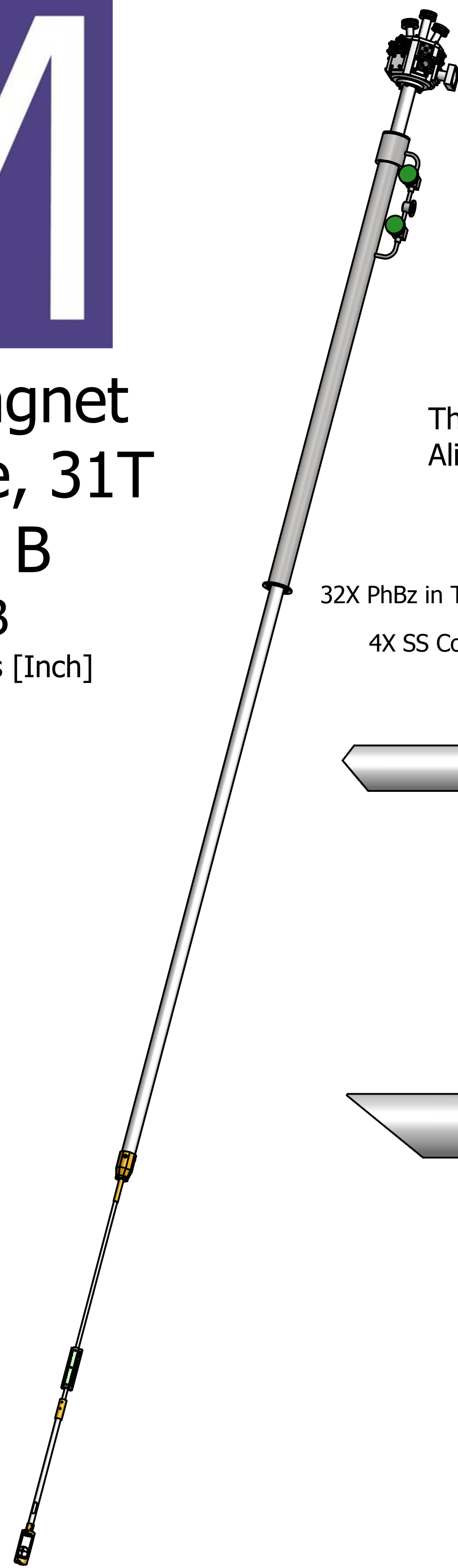
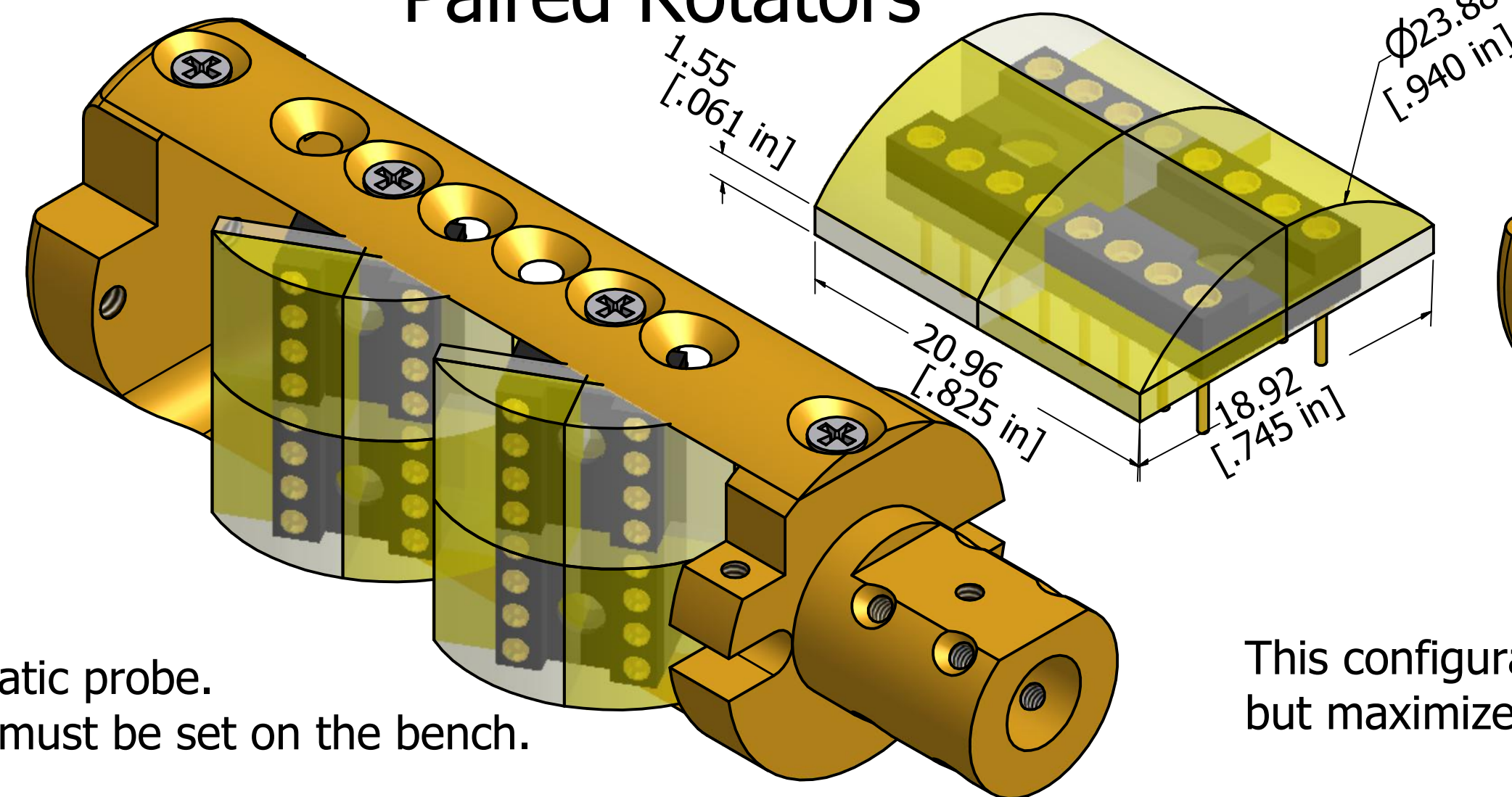


Cell 09 Magnet
50mm Bore, 31T
System B
Probe B
Units in Millimeters [Inch]

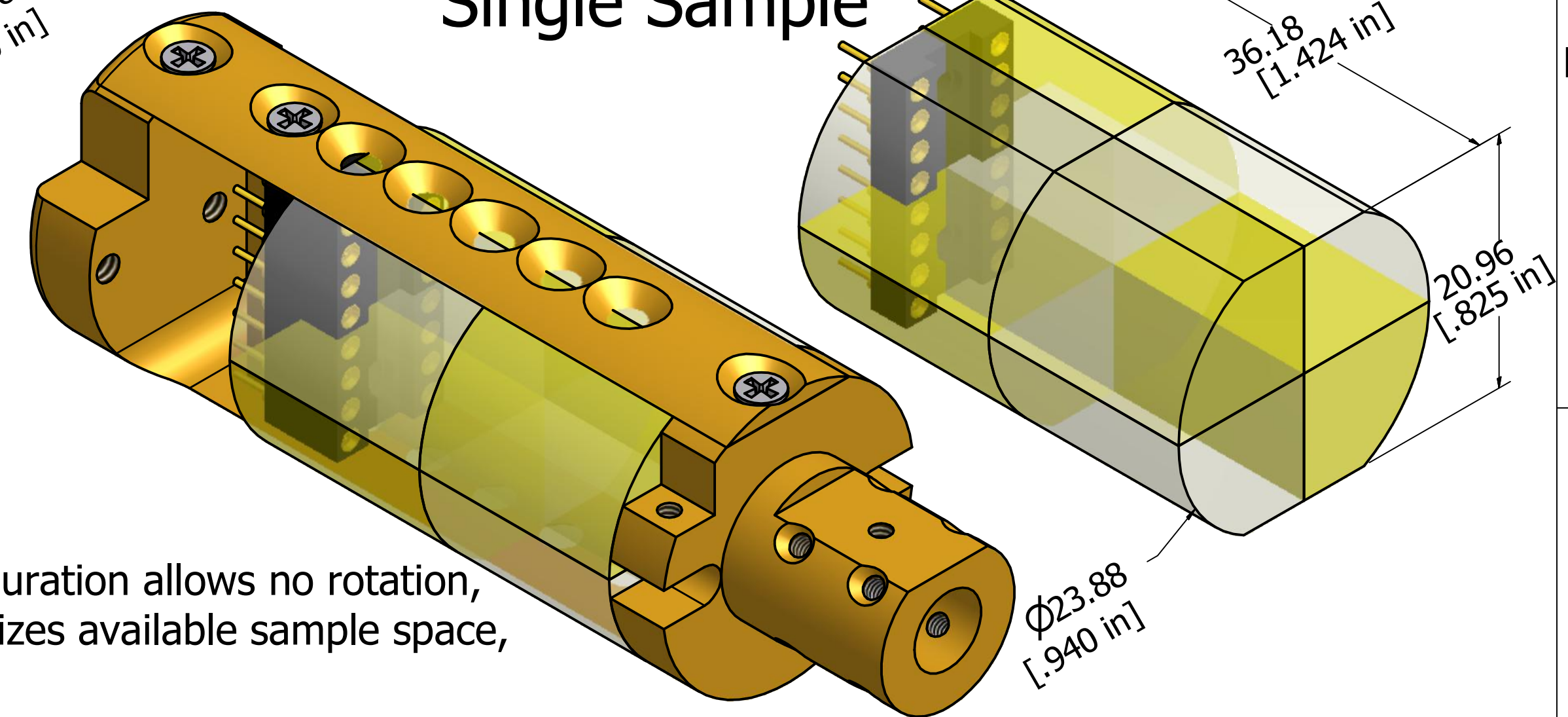


Sample Mount Option: Paired Rotators



This is a static probe.
Alignment must be set on the bench.

Sample Mount Option: Single Sample



This configuration allows no rotation,
but maximizes available sample space,

Sample Carrier must be compatible with standard 16-pin DIP sockets.
Digi-Key Part #ED6002-ND (Provided) Shown for comparison.

