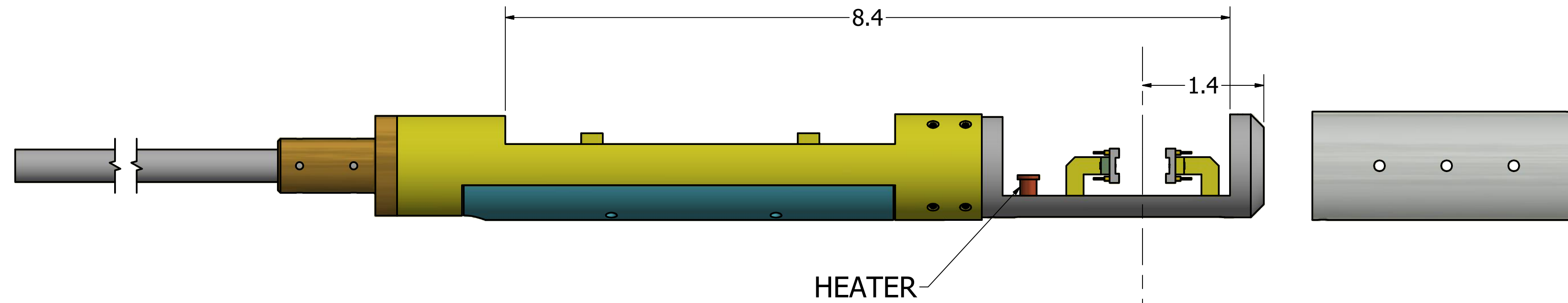
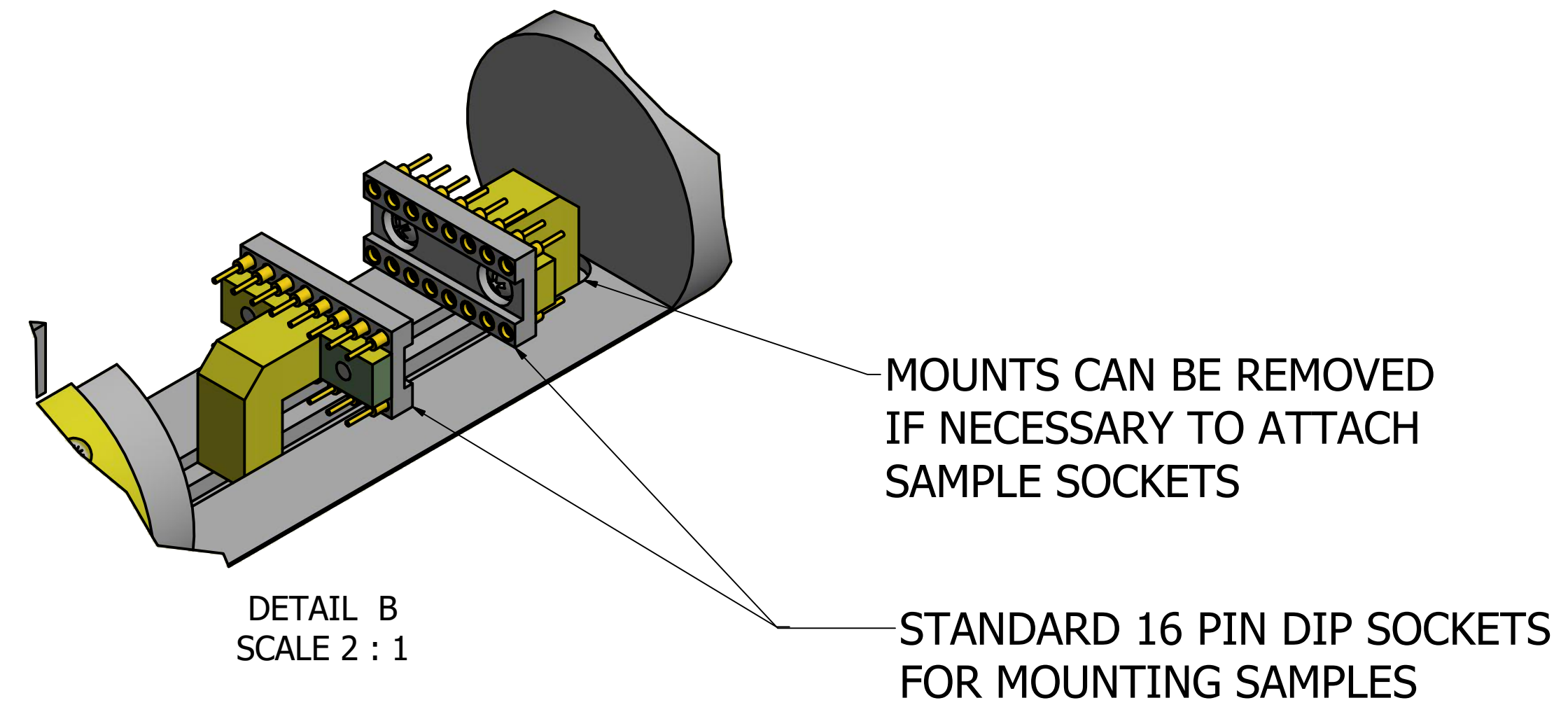
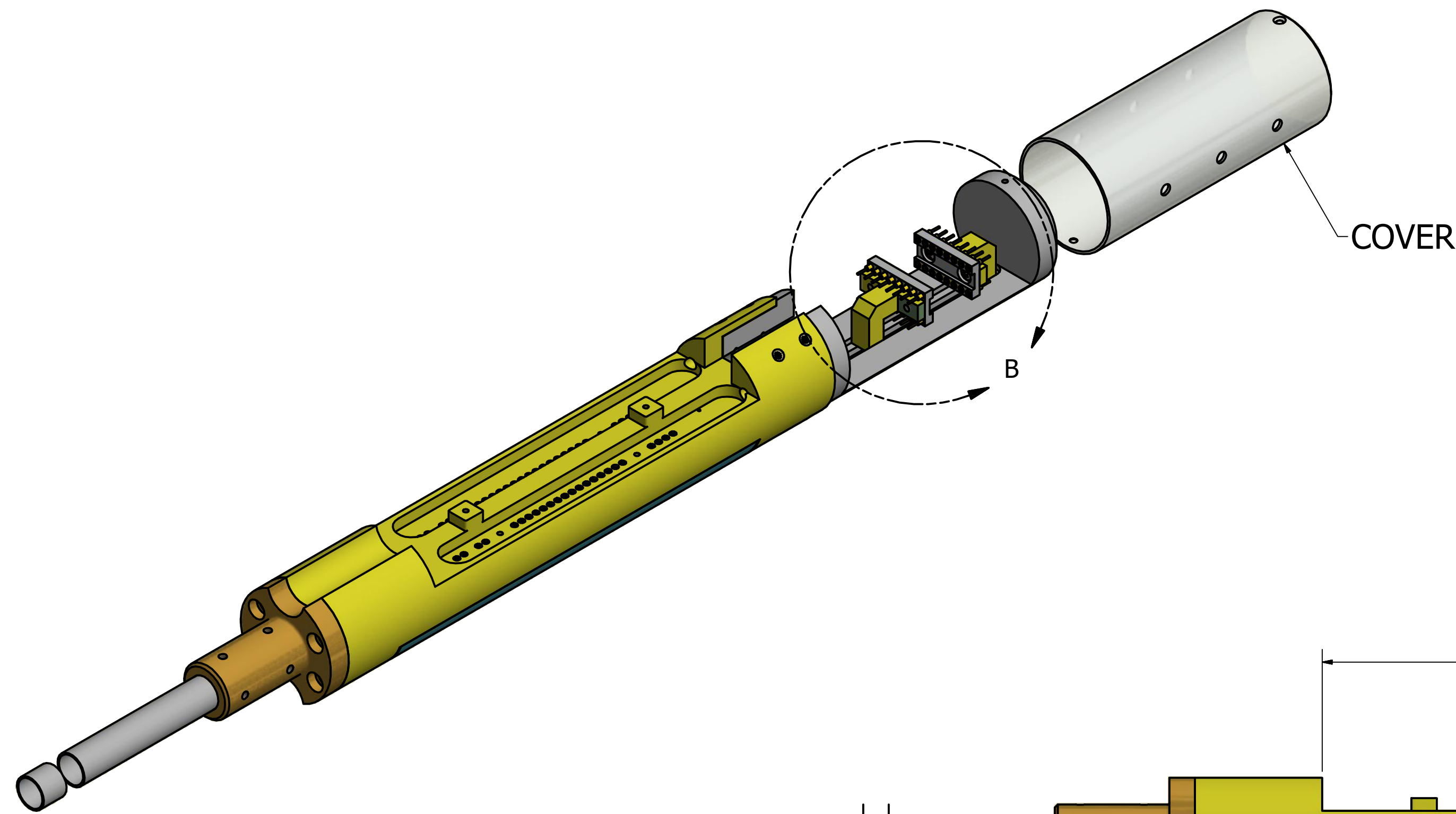
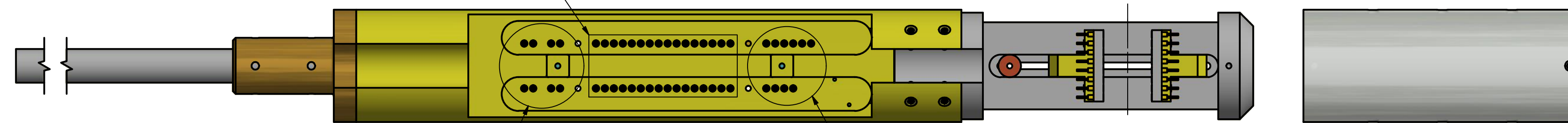


- NOTES:**
1. MATERIAL:
  2. MAXIMUM ROUGHNESS  $\sqrt{R}$  UNLESS SPECIFIED.
  3. REMOVE ALL BURRS AND SHARP EDGES UNLESS SPECIFIED.

# SAMPLE END OF "STRAIGHT" PROBE SHOWN



16 PIN DIP SOCKETS AT SAMPLE HOLDER ARE CONNECTED HERE. (WIRING BETWEEN SAMPLE HOLDER DIPS AND THESE SOCKETS IS NOT SHOWN)

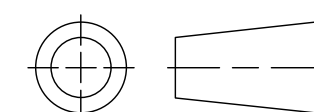


4 PAIR COAX FROM PROBE HEAD TERMINATED HERE WITH SIP CONNECTORS

PROBE THERMOMETER AND HEATER CONNECTIONS

This drawing and the information it contains are both property of the Florida State University and are to be held by the recipient as confidential and are not to be transferred to any third party, used to make or furnish information for making any physical structure or any pictorial, graphic or verbal representation of any information contained herein or copied (unless supplied in productive form) without the express written consent of the Florida State University.

THIRD ANGLE PROJECTION



GENERAL TOLERANCES  
1 PL DEC:  $\pm 0.020$   
2 PL DEC:  $\pm 0.010$   
3 PL DEC:  $\pm 0.005$   
ANGLES:  $\pm 1^\circ$

UNLESS OTHERWISE SPECIFIED, DIMENSIONS ARE IN INCHES. DO NOT SCALE DRAWING

PART MODEL FILENAME  
32 pin straight.iam  
MODELED  
maier 3/8/2017  
DETAILED  
maier 1/4/2018  
CHECKED

NATIONAL HIGH MAGNETIC FIELD LABORATORY  
1800 E PAUL DIRAC DRIVE  
TALLAHASSEE, FLORIDA 32310

DESC

sysF rotator

SIZE

DWG NUMBER

32 pin straight

REV

SHT 1 OF 1

