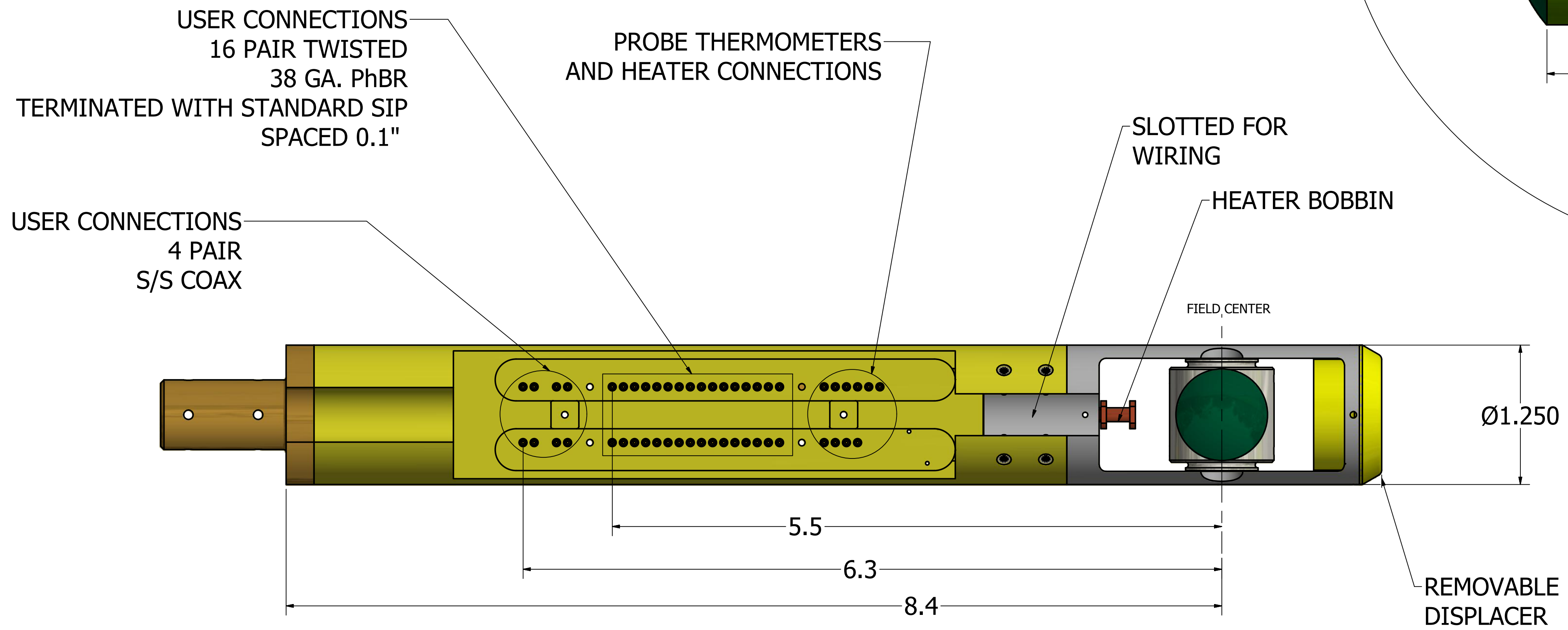
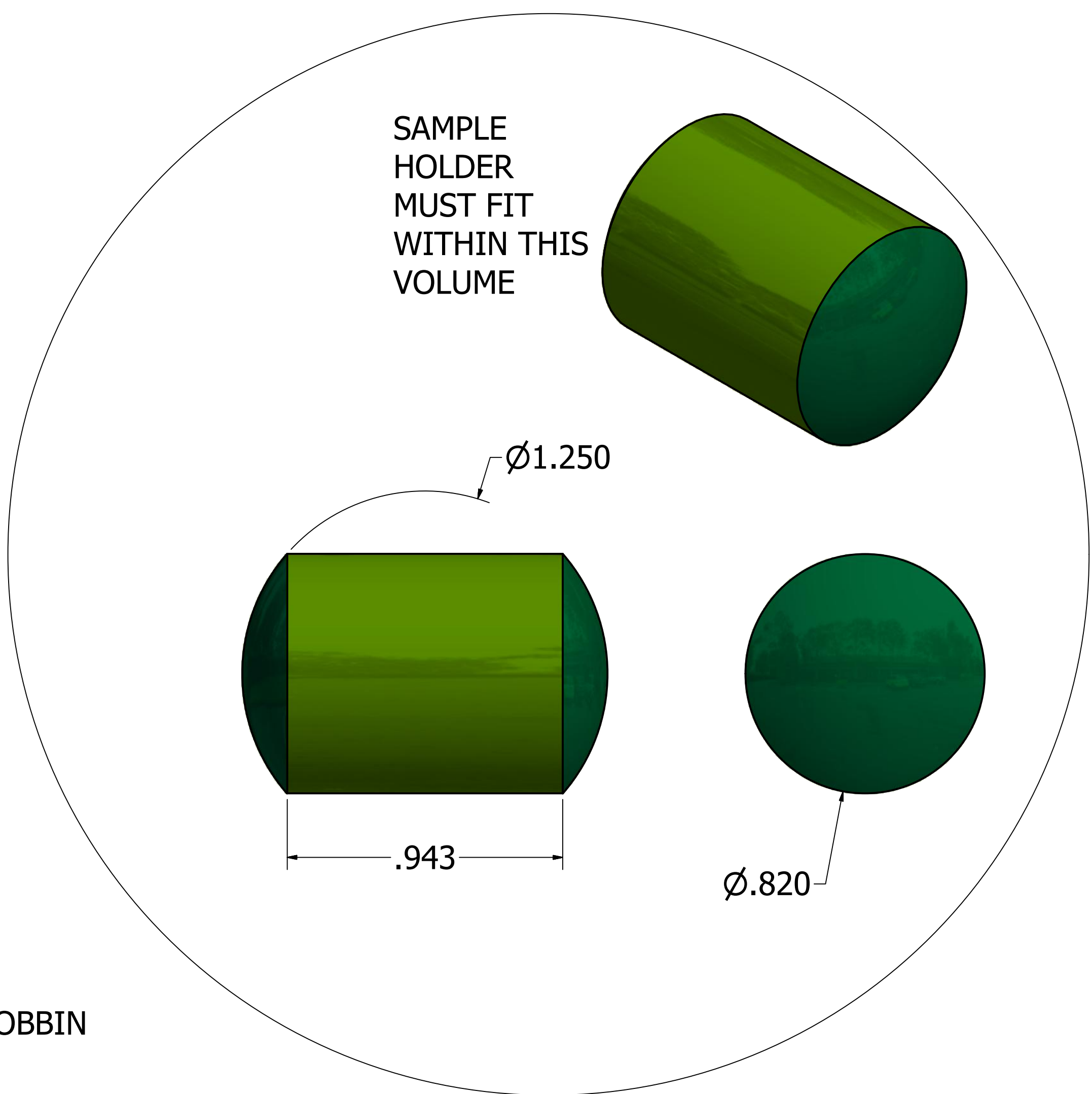
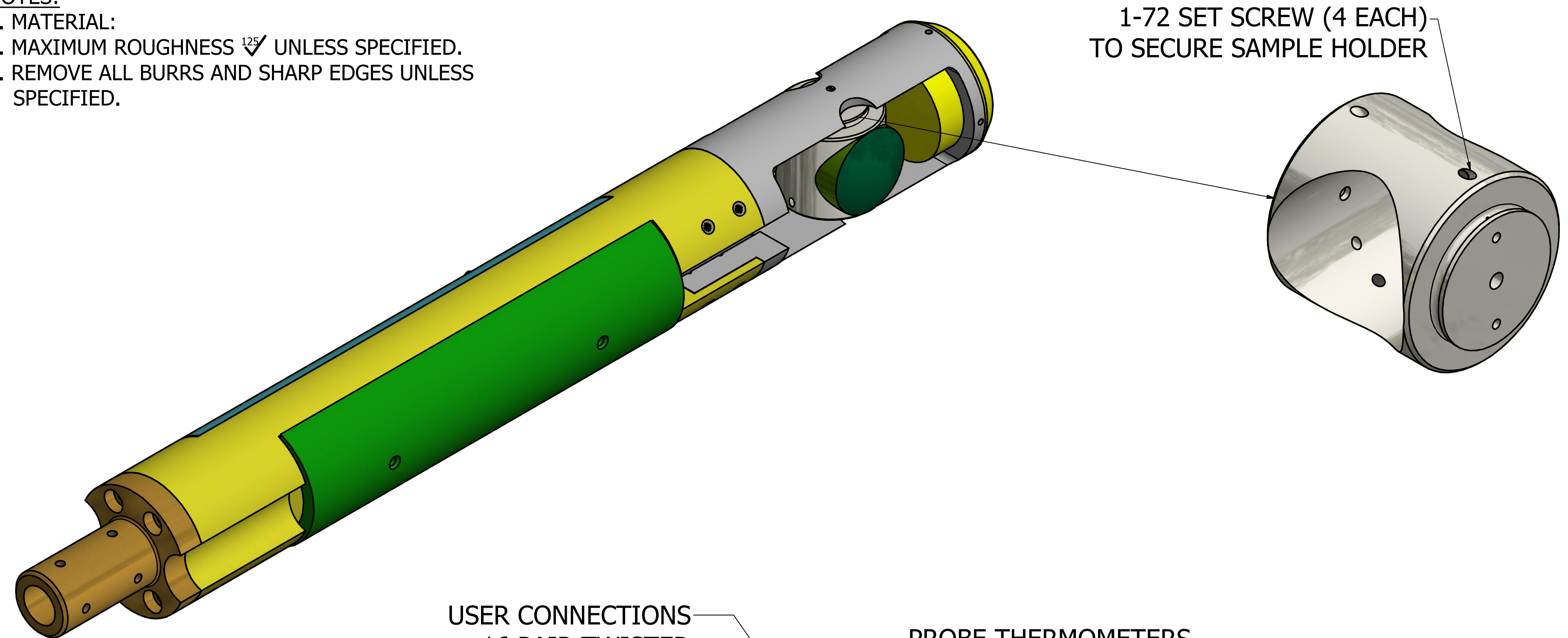
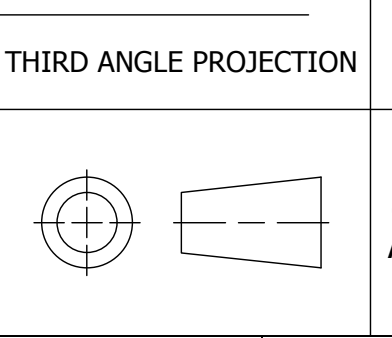


- NOTES:**
 1. MATERIAL:
 2. MAXIMUM ROUGHNESS $\sqrt{32}$ UNLESS SPECIFIED.
 3. REMOVE ALL BURRS AND SHARP EDGES UNLESS SPECIFIED.



This drawing and the information it contains are both property of the Florida State University and are to be held by the recipient as confidential and are not to be transferred to any third party, used to make or furnish information for making any physical structure or any pictorial, graphic or verbal representation of any information contained herein or copied (unless supplied in productive form) without the express written consent of the Florida State University.



GENERAL TOLERANCES	
1 PL DEC:	± 0.020
2 PL DEC:	± 0.010
3 PL DEC:	± 0.005
ANGLES: $\pm 1^\circ$	
UNLESS OTHERWISE SPECIFIED, DIMENSIONS ARE IN INCHES. DO NOT SCALE DRAWING	

PART MODEL FILENAME 1.25_rev1.iam	
MODELED maier	3/8/2017
DETAILED maier	6/30/2017
CHECKED	

NATIONAL HIGH MAGNETIC FIELD LABORATORY 1800 E PAUL DIRAC DRIVE TALLAHASSEE, FLORIDA 32310	
DESC sysF rotator	
SIZE D	DWG NUMBER 1.25_rev1
SHT 1 OF 1	

