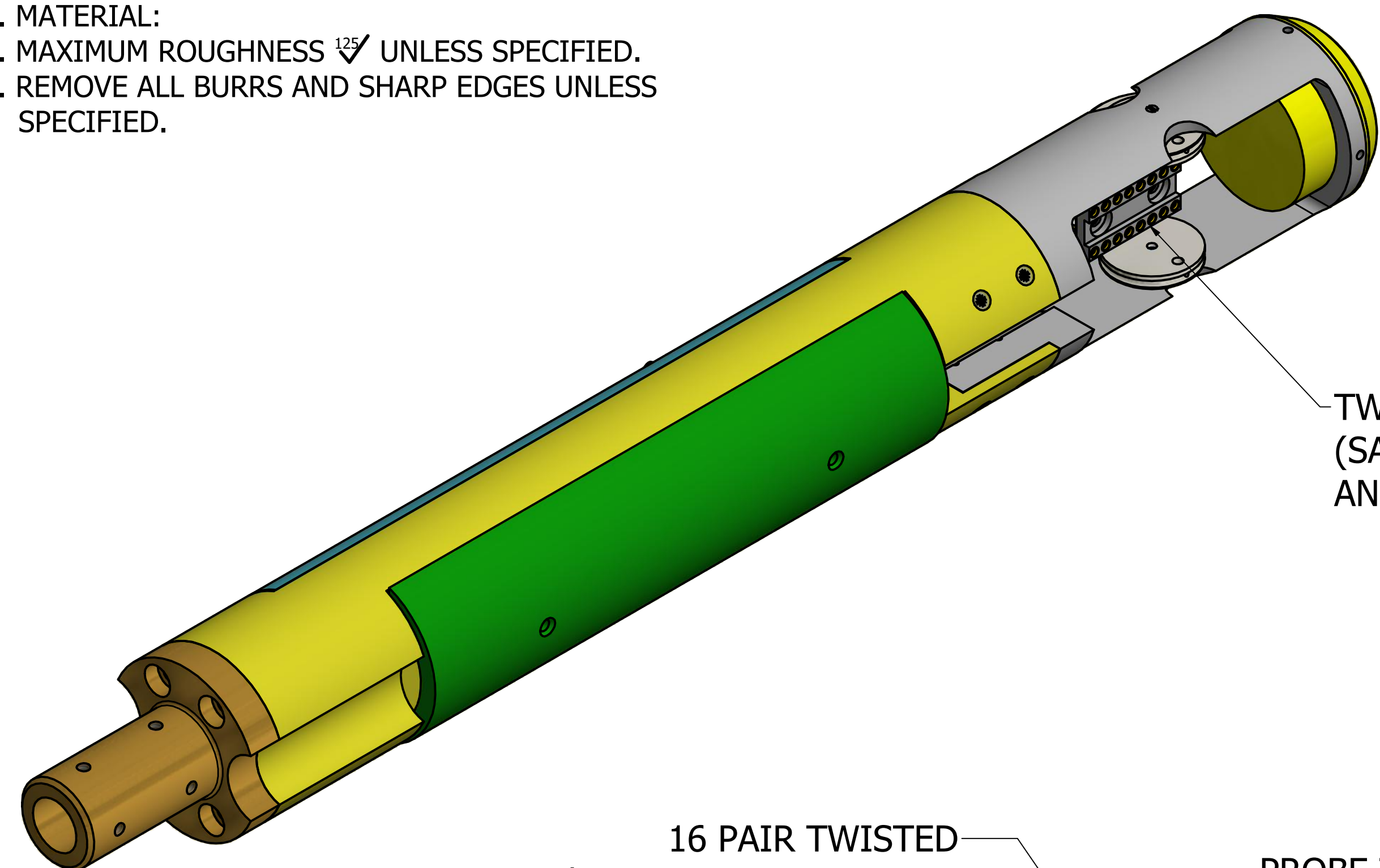
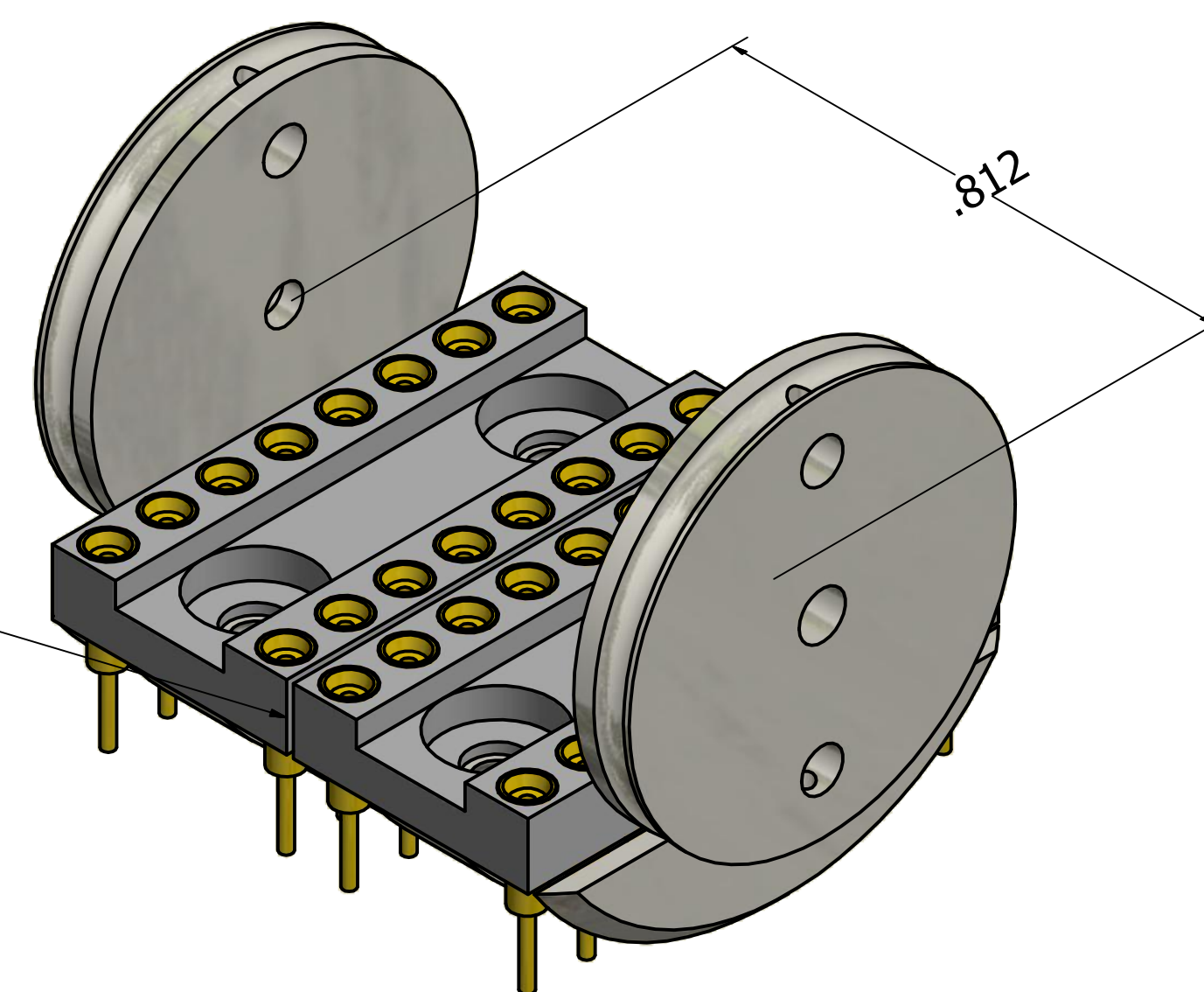


- NOTES:**
 1. MATERIAL:
 2. MAXIMUM ROUGHNESS \sqrt{R} UNLESS SPECIFIED.
 3. REMOVE ALL BURRS AND SHARP EDGES UNLESS SPECIFIED.

SAMPLE END OF ROTATOR PROBE



TWO STANDARD 16 PIN DIP SOCKETS
 (SAMPLES ARE MOUNTED TO USER SOCKETS
 AND PLUGGED IN HERE)



16 PAIR TWISTED
 38 GA. PhBR FROM PROBE HEAD
 TERMINATED WITH STANDARD SIP PINS.
 THE TWO 16 PIN DIP SOCKETS ON THE ROTATOR
 ARE CONNECTED HERE

PROBE THERMOMETERS
 AND HEATER CONNECTIONS

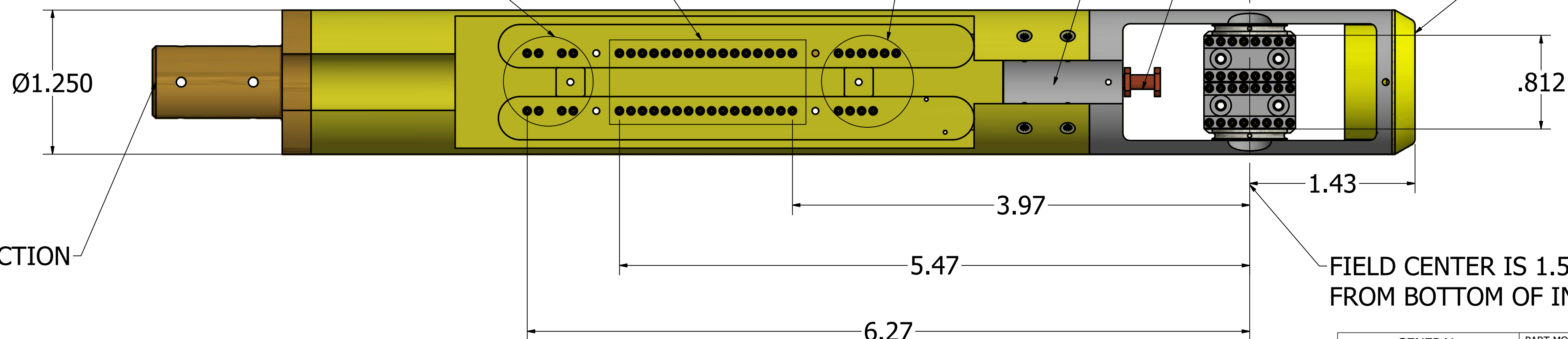
SLOTTED FOR
 WIRING

HEATER BOBBIN

USER CONNECTIONS
 4 PAIR
 S/S COAX

FIELD
 CENTER

REMOVABLE
 DISPLACER

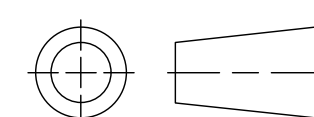


PROBE SHAFT CONNECTION

FIELD CENTER IS 1.5
 FROM BOTTOM OF INSERT TAIL

This drawing and the information it contains are both property of the Florida State University and are to be held by the recipient as confidential and are not to be transferred to any third party, used to make or furnish information for making any physical structure or any pictorial, graphic or verbal representation of any information contained herein or copied (unless supplied in productive form) without the express written consent of the Florida State University.

THIRD ANGLE PROJECTION



GENERAL TOLERANCES
 1 PL DEC: ± 0.020
 2 PL DEC: ± 0.010
 3 PL DEC: ± 0.005
 ANGLES: $\pm 1^\circ$

UNLESS OTHERWISE SPECIFIED, DIMENSIONS ARE IN INCHES. DO NOT SCALE DRAWING

PART MODEL FILENAME 32 pin rotator.iam	
MODELED maier	3/8/2017
DETAILED maier	6/30/2017
CHECKED	

NATIONAL HIGH MAGNETIC FIELD LABORATORY
 1800 E PAUL DIRAC DRIVE
 TALLAHASSEE, FLORIDA 32310

DESC
 sysF rotator

SIZE D DWG NUMBER 32 pin rotator REV

