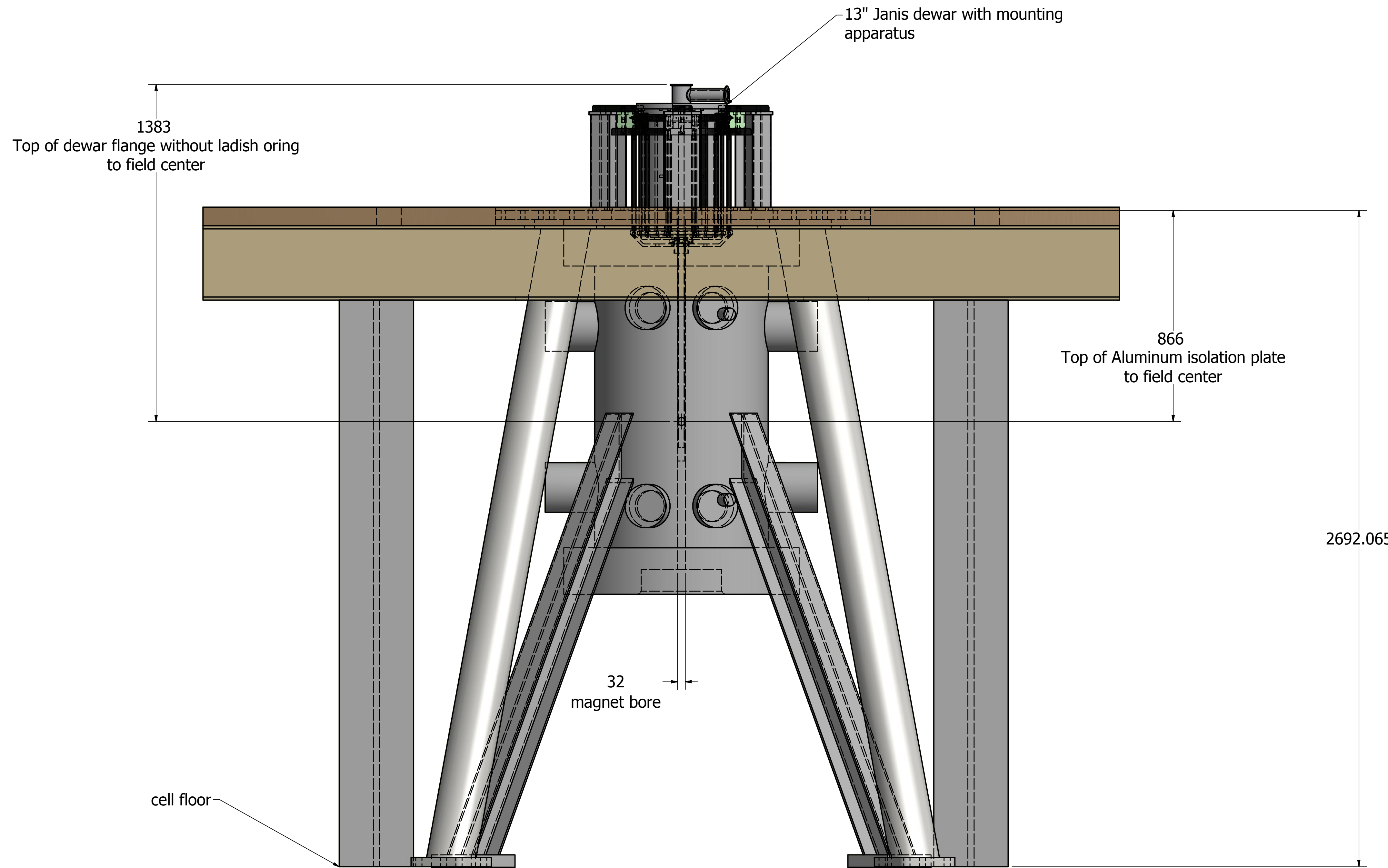


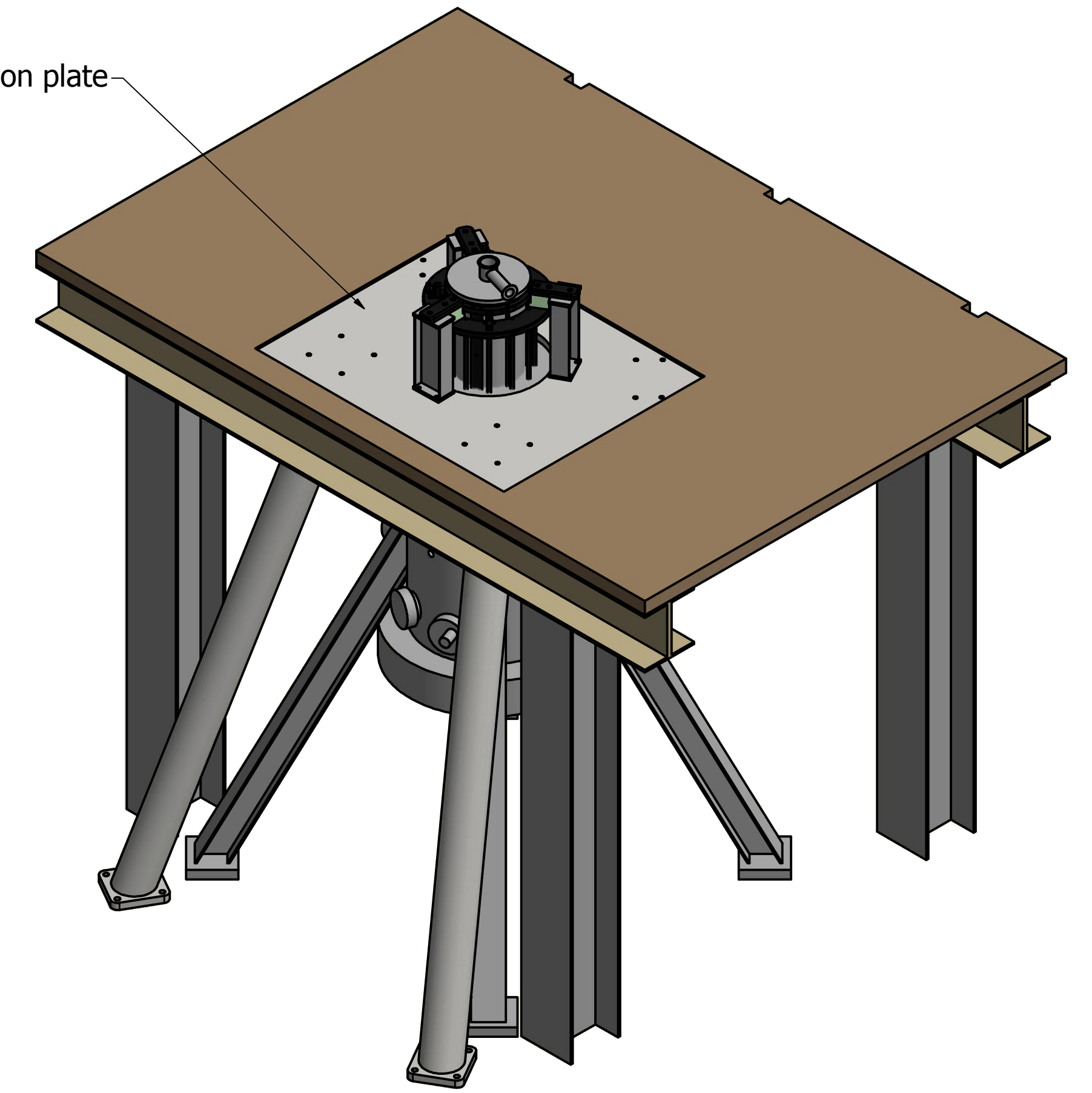
Units shown are millimeters

Janis 13" dewar on cell 2 magnet

32 mm bore magnet, 30.5 T

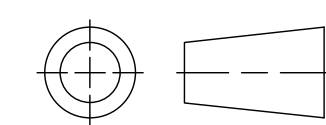


Aluminum isolation plate



This drawing and the information it contains are both property of the Florida State University and are to be held by the recipient as confidential and are not to be transferred to any third party, used to make or furnish information for making any physical structure or any pictorial, graphic or verbal representation of any information contained herein or copied (unless supplied in productive form) without the express written consent of the Florida State University.

THIRD ANGLE PROJECTION



GENERAL TOLERANCES

- 1 PL DEC: ± 0.020
- 2 PL DEC: ± 0.010
- 3 PL DEC: ± 0.005

ANGLES: $\pm 1'$

UNLESS OTHERWISE SPECIFIED, DIMENSIONS ARE IN INCHES. DO NOT SCALE DRAWING

PART MODEL FILENAME
3600-0110-0000-MB-sm.iam

MODELED
boebinger 6/1/2012

DETAILED
maier 9/11/2014

CHECKED

NATIONAL HIGH MAGNETIC FIELD LABORATORY
1800 E PAUL DIRAC DRIVE
TALLAHASSEE, FLORIDA 32310

DESC
Magnet Cell 2 Assembly



SIZE **D** DWG NUMBER **3600-0110-0000-MB-sm** REV

SHT 1 OF 1