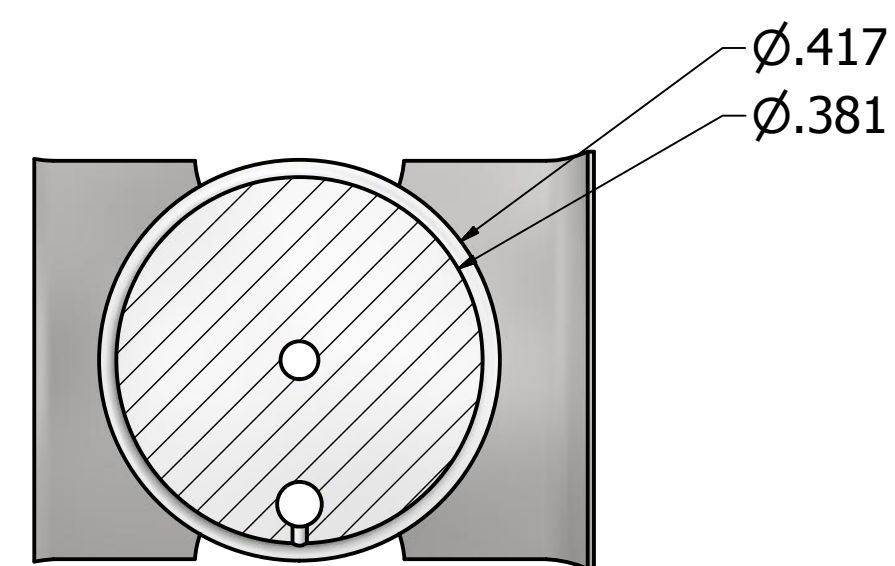
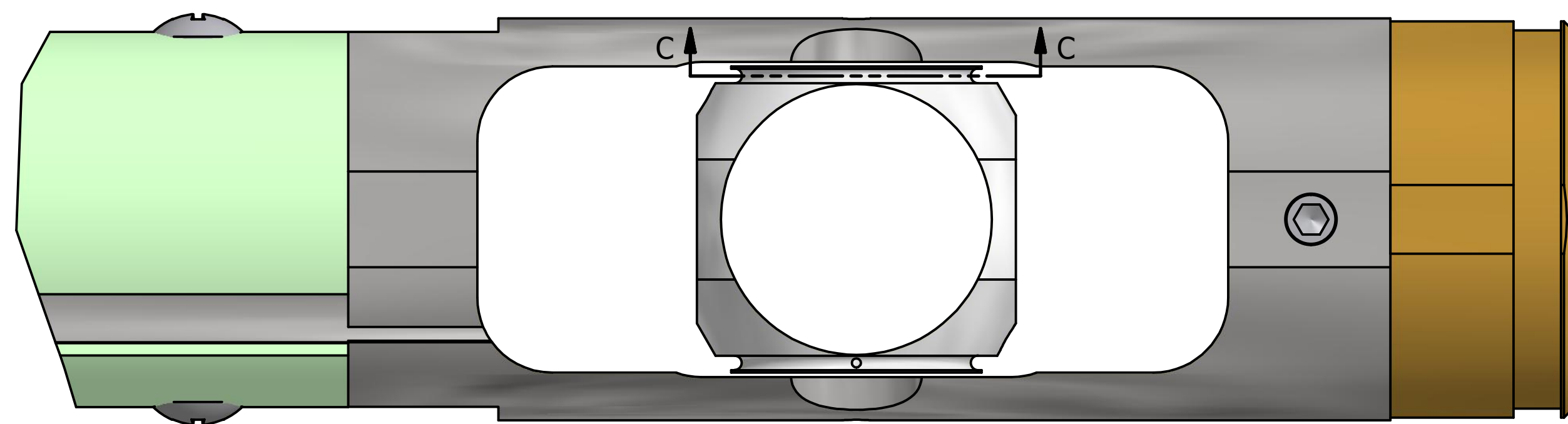


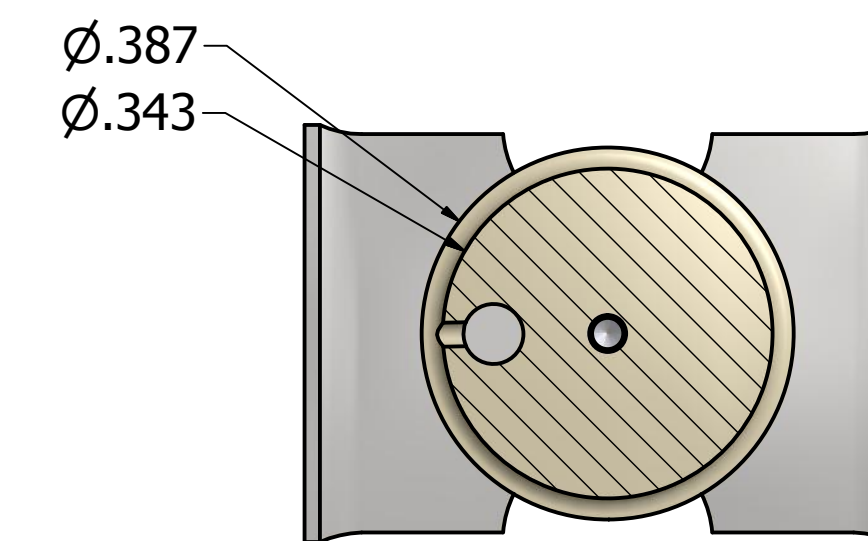
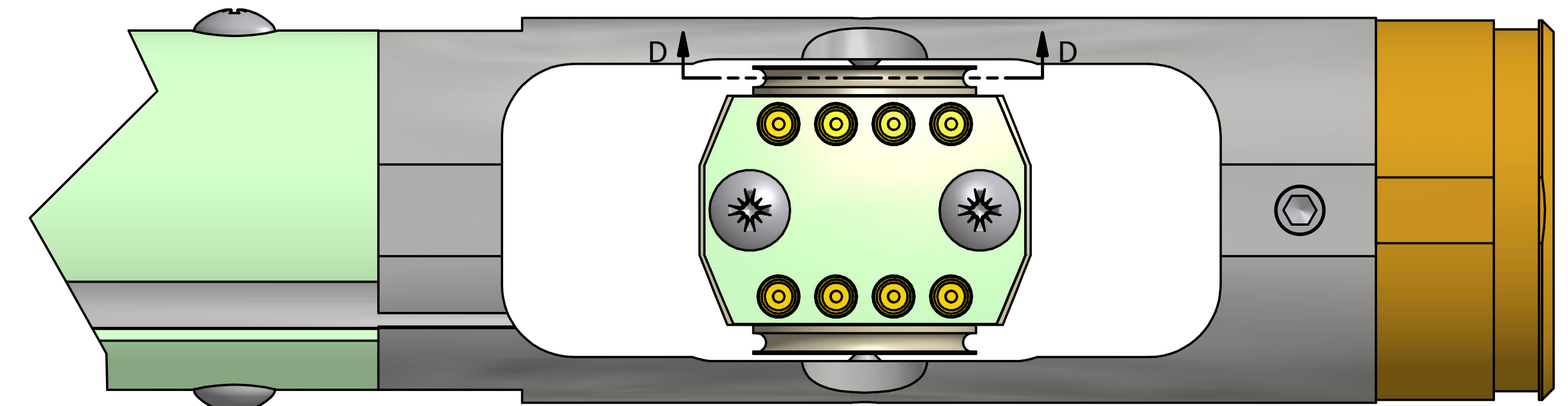
System E Rotator Calibration

Probe #1



Effective Diameter 0.412"
 1 Turn at Top = 6.95° at Bottom
 51.78 Turns Top = 360° at Bottom
 1 Division Top = 0.278° at Bottom
 1 Stepper Step = 0.0193° at Bottom

Probe #2



Effective Diameter = 0.363"
 1 Turn at Top = 7.90° at Bottom
 45.58 Turns Top = 360° at Bottom
 1 Division Top = 0.316° at Bottom
 1 Stepper Step = 0.0219° at Bottom

Calibration conducted on September 2013, using Toshiba THS118 Hall Sensors with 10μA at B=1.0T and T=1.4K