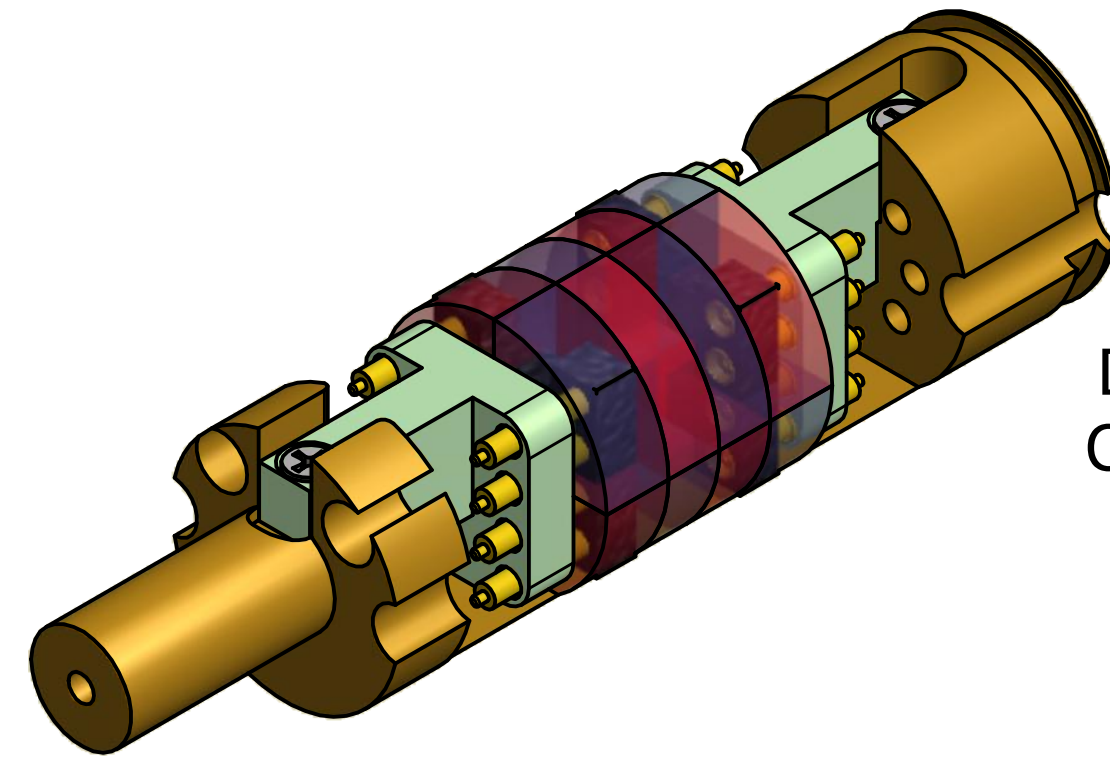


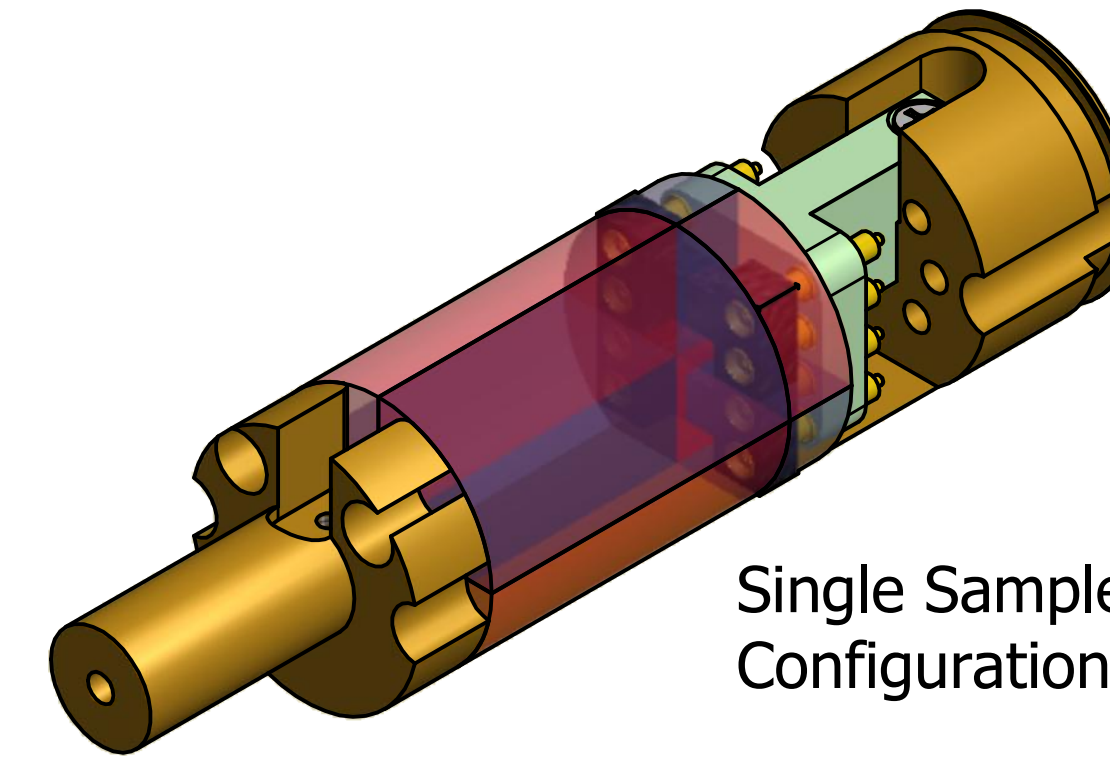
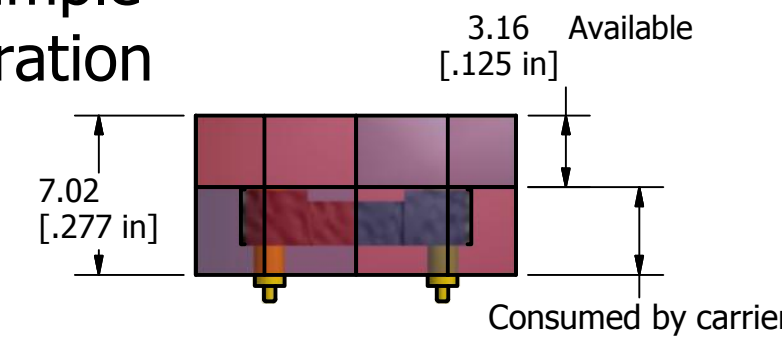
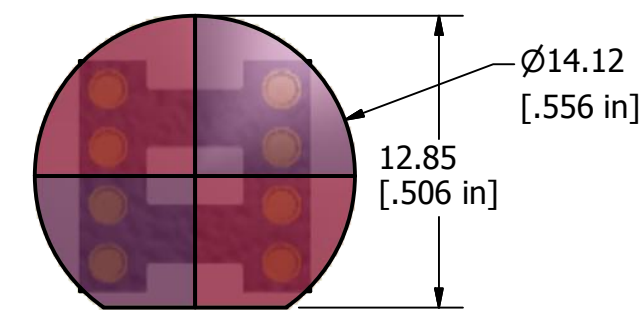
45T Hybrid Magnet System E Probe #4

Units in Millimeters [Inch]

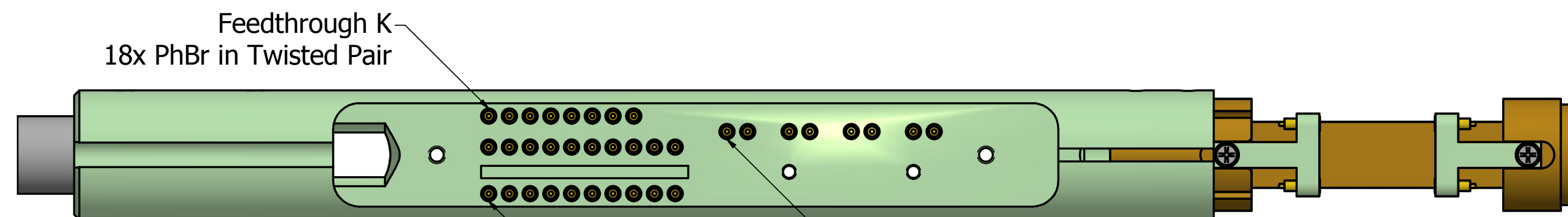
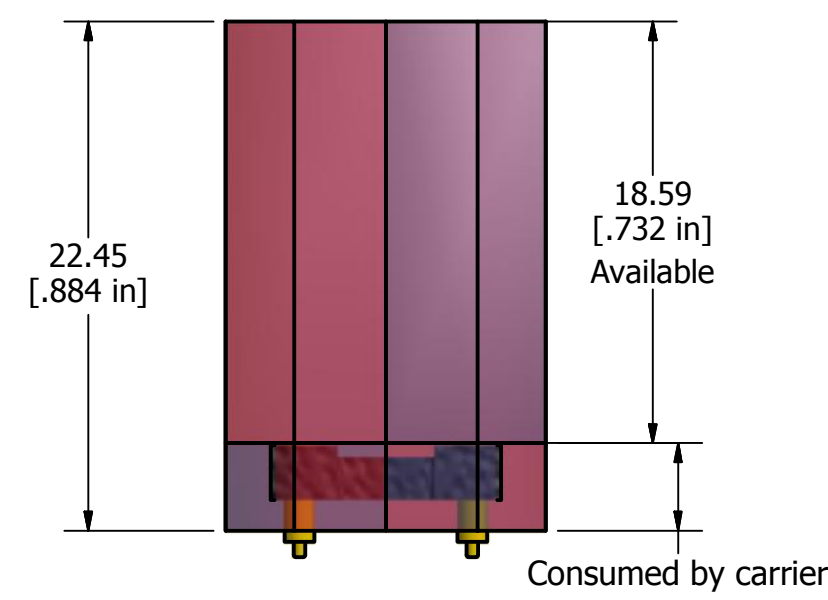
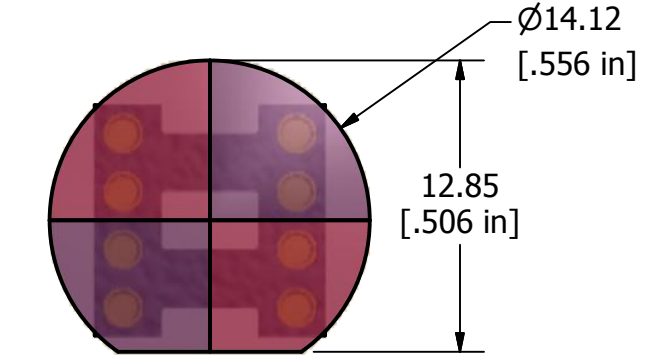
Sample carrier must be compatible with 8-pin Series 110 DIP sockets.
Digi-Key part #ED90048-ND (provided) shown for comparison.



Dual Sample Configuration



Single Sample Configuration



2x W.L. Gore CXN 3369 Coax
50 Ω Impedance
2.5 Ω/m Conductor Resistance
92 pF/m Capacitance
(Tinned and Unterminated)
Under Teflon Wrap

