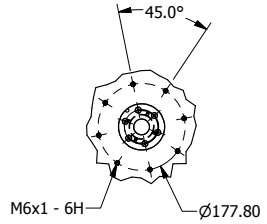
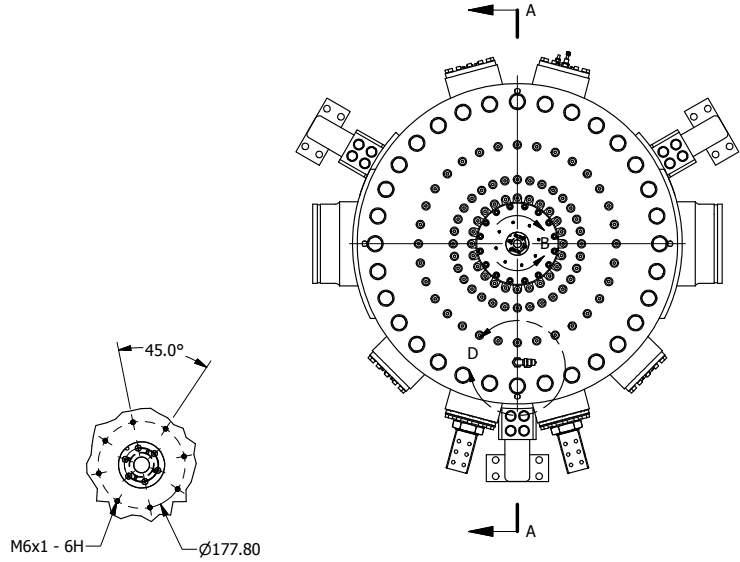
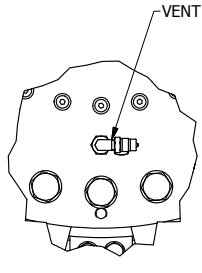


NOTES:  
 1. REMOVE ALL BURRS AND SHARP EDGES UNLESS SPECIFIED.  
 2. MAXIMUM ROUGHNESS  $\sqrt{\text{V}}$  UNLESS SPECIFIED.

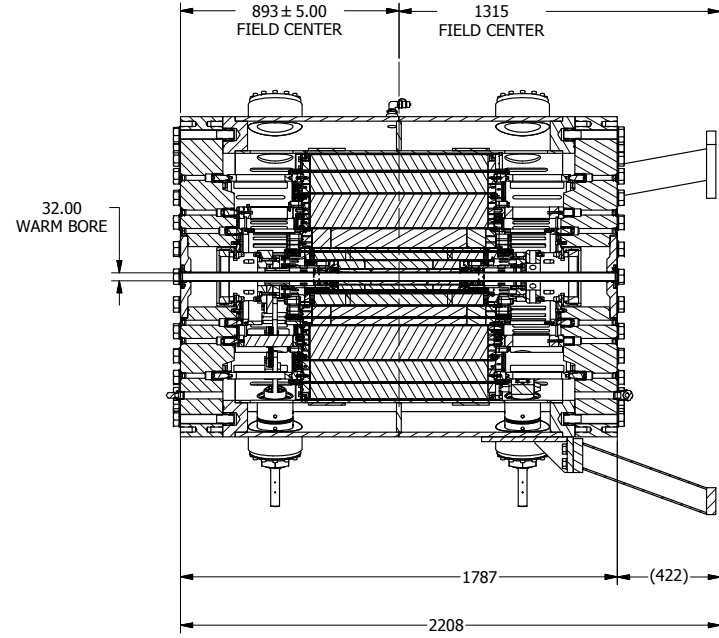
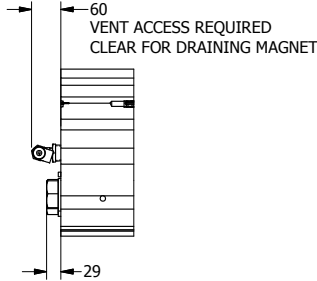
REVISION HISTORY				
ZONE	REV	DESCRIPTION	DATE	APPROVED
	A	MFG RELEASE	6/20/2017	



DETAIL B  
SCALE 1 / 5

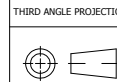


DETAIL D  
SCALE 1 / 5



SECTION A-A  
SCALE 1/10

This drawing and the information it contains are both property of the Florida State University and are to be held by the recipient as confidential and are not to be transferred to any third party, used to make or furnish information for making any physical structure or any pictorial, graphic or verbal representation of any information contained herein or copied (unless supplied in productive form) without the express written consent of the Florida State University.



<b>GENERAL TOLERANCES</b> 0 PL DEC: ± 1.00 1 PL DEC: ± 0.25 2 PL DEC: ± 0.10 ANGLES: ± 1°	PART MODEL FILENAME <b>ICD 06.iam</b>	NATIONAL HIGH MAGNETIC FIELD LABORATORY 1800 E PAUL DIRAC DRIVE TALLAHASSEE, FLORIDA 32310		
	MODELED <b>bole</b> 6/24/2016			DESC <b>CELL 6 INTERFACE CONTROL</b>
	DETAILED <b>Bole</b> 4/11/2015	CHECKED	SIZE <b>D</b>	DWG NUMBER <b>ICD 06</b>