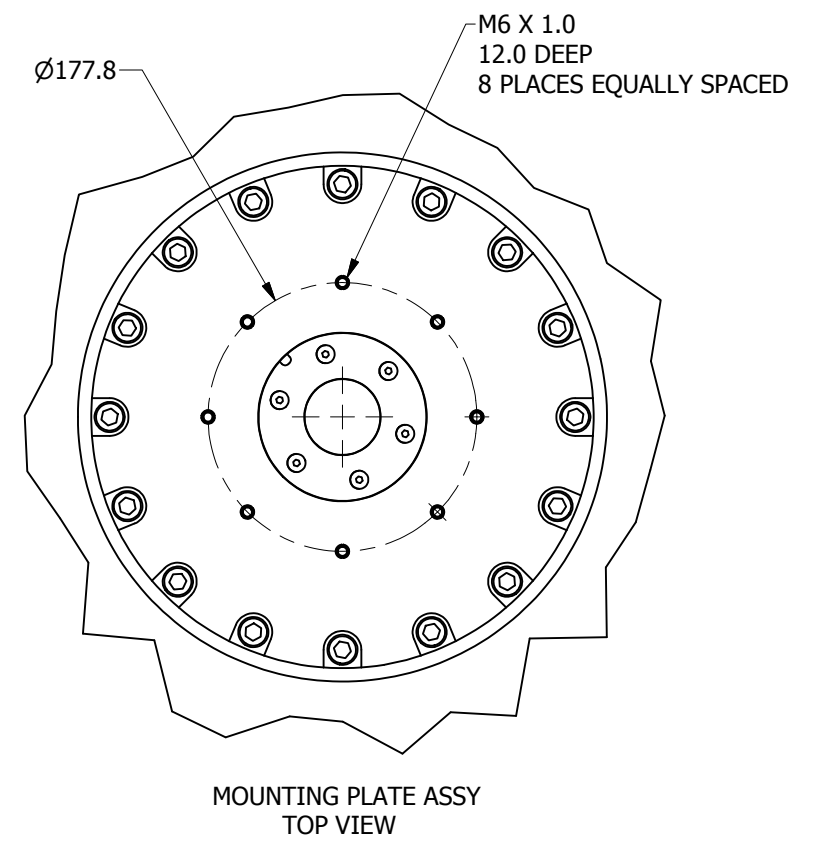
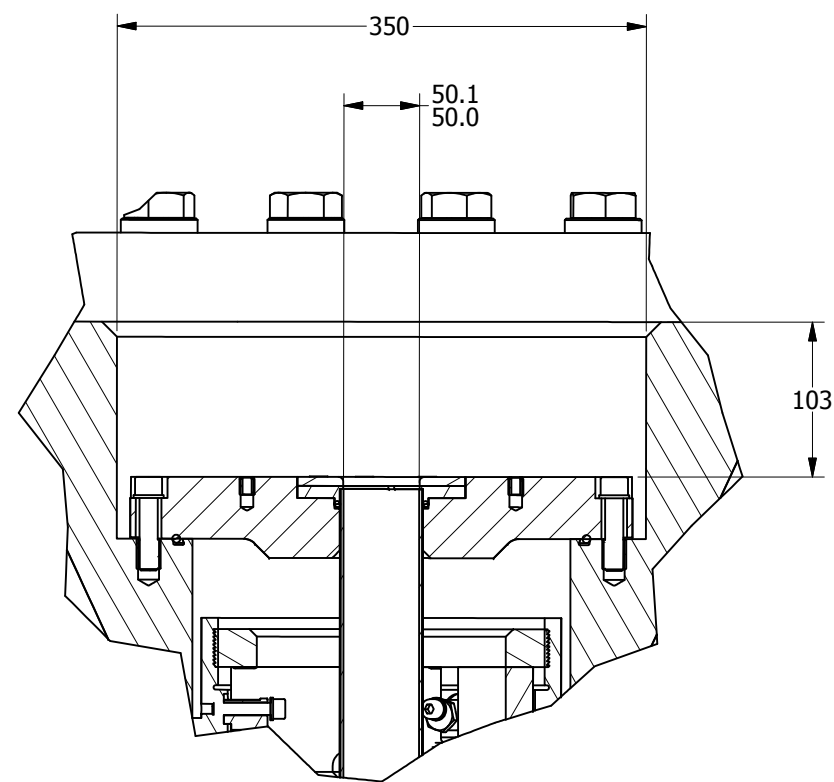
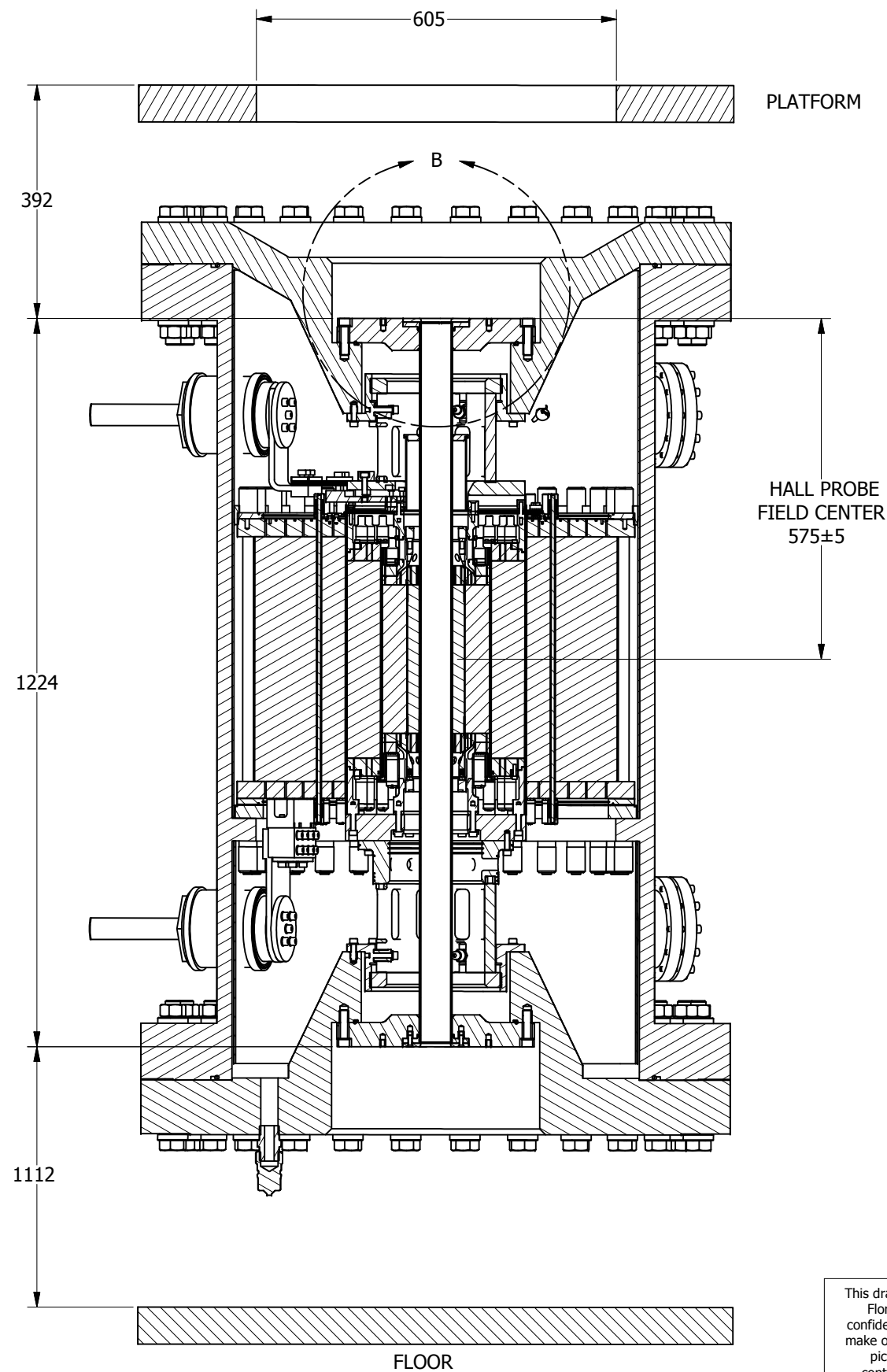
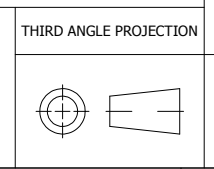


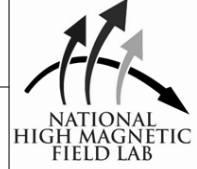
CELL 7 USER INTERFACE

NOTES:
1. MAXIMUM FIELD 31T



This drawing and the information it contains are both property of the Florida State University and are to be held by the recipient as confidential and are not to be transferred to any third party, used to make or furnish information for making any physical structure or any pictorial, graphic or verbal representation of any information contained herein or copied (unless supplied in productive form) without the express written consent of the Florida State University.



GENERAL TOLERANCES 0 PL DEC: ± 1.00 1 PL DEC: ± 0.25 2 PL DEC: ± 0.10 ANGLES: ± 1°	PART MODEL FILENAME icd07.iam	NATIONAL HIGH MAGNETIC FIELD LABORATORY 1800 E PAUL DIRAC DRIVE TALLAHASSEE, FLORIDA 32310 DESC CELL 7 USER INTERFACE	 NATIONAL HIGH MAGNETIC FIELD LAB
	MODELED oreilly 4/29/2011		
	DETAILED oreilly 4/29/2011		
	CHECKED		
UNLESS OTHERWISE SPECIFIED, DIMENSIONS ARE IN MILLIMETERS. DO NOT SCALE DRAWING.	SIZE D	DWG NUMBER icd07	REV
SHT 1 OF 1			