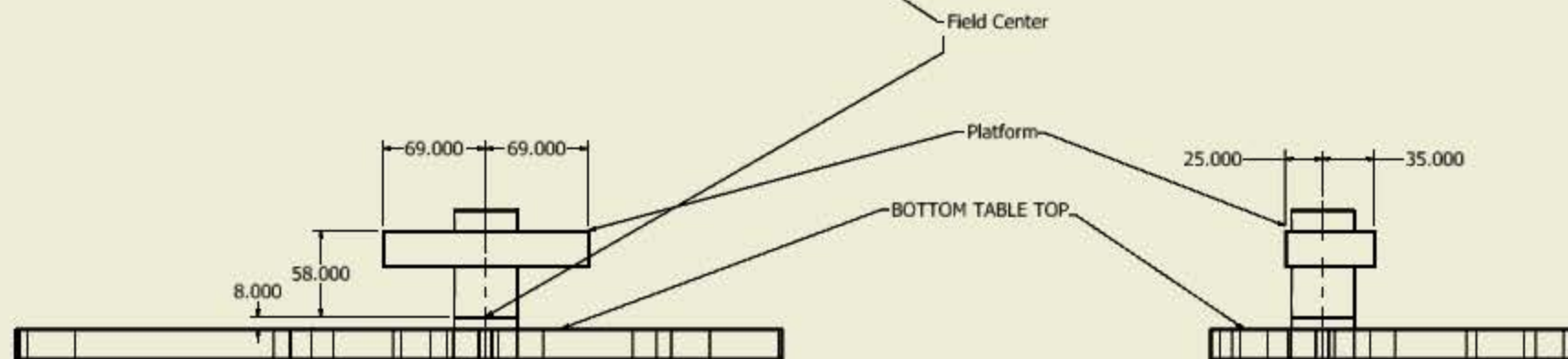
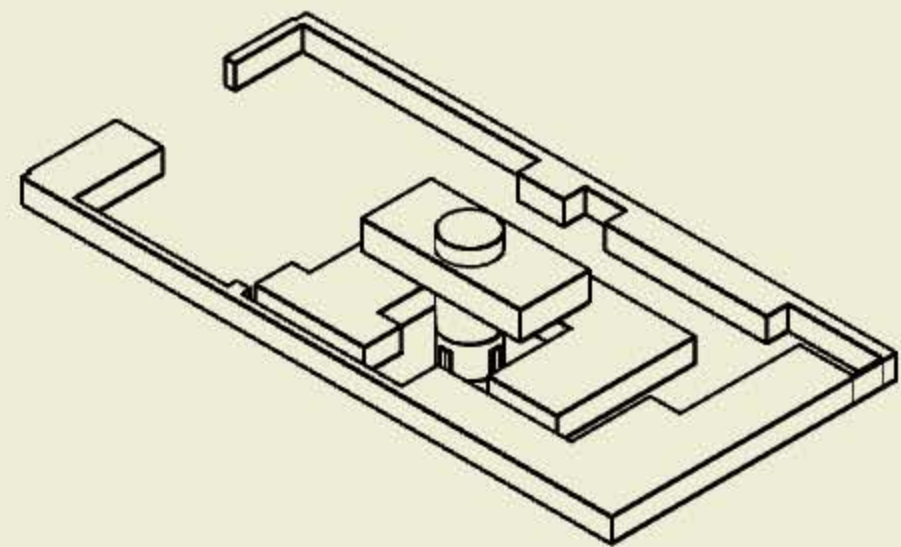
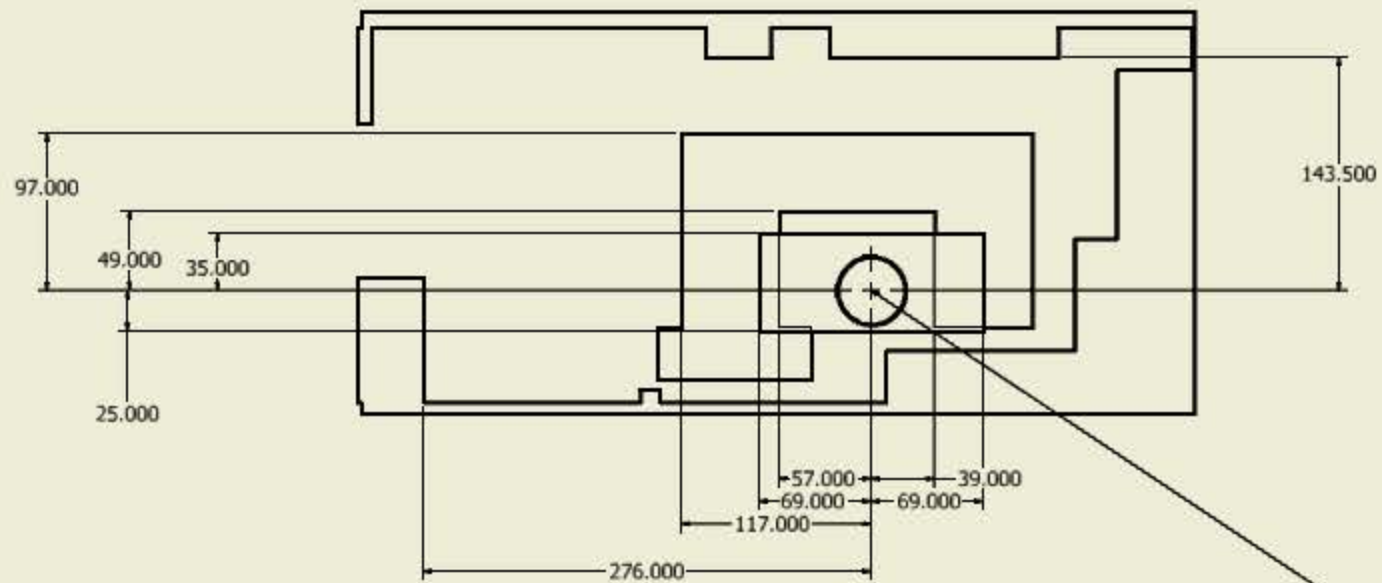
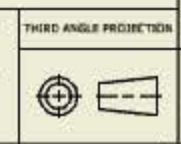


**NOTES:**

1. MATERIAL:
2. MAXIMUM ROUGHNESS  $\checkmark$  UNLESS SPECIFIED.
3. REMOVE ALL BURRS AND SHARP EDGES UNLESS SPECIFIED.



This drawing and the information it contains are both property of the Florida State University and are to be held by the recipient as confidential and are not to be transferred to any third party, used to make or furnish information for making any physical structure or any pictorial, graphic or verbal representation of any information contained herein or copied (unless supplied in productive form) without the express written consent of the Florida State University.



GENERAL TOLERANCES	
1 PL DEC:	$\pm 0.020$
2 PL DEC:	$\pm 0.010$
3 PL DEC:	$\pm 0.005$
ANGLES: $\pm 1'$	
UNLESS OTHERWISE SPECIFIED, DIMENSIONS ARE IN INCHES. DO NOT SCALE DRAWING	

PART MODEL FILENAME 3619-0101-0002 floor plan MST.ipt	
DESIGNED	11/30/2012
DATE	2/27/2014
CHECKED	

NATIONAL HIGH MAGNETIC FIELD LABORATORY  
1800 E PAUL DIRAC DRIVE  
TALLAHASSEE, FLORIDA 32310



SIZE	D	DWG NUMBER	3619-0101-0002 floor plan MST	REV	
SHT 1 OF 1					