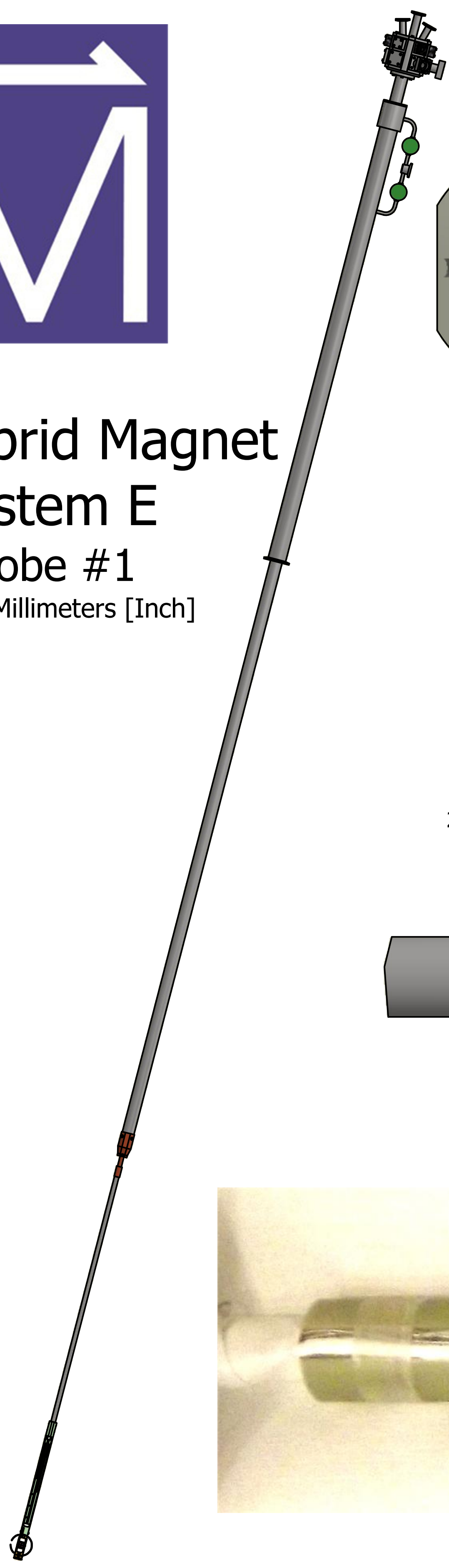


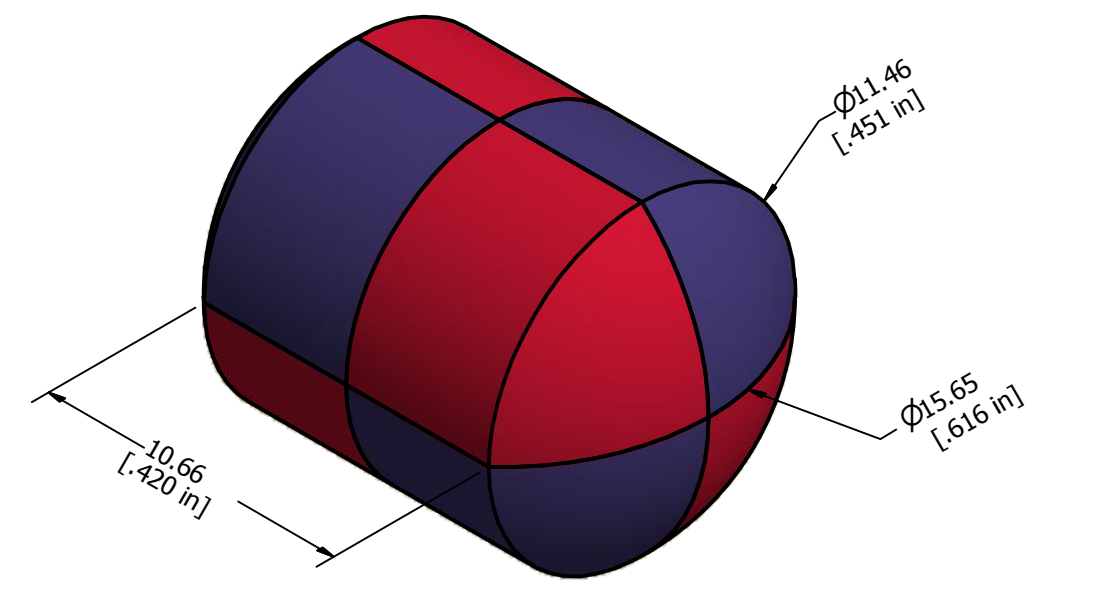
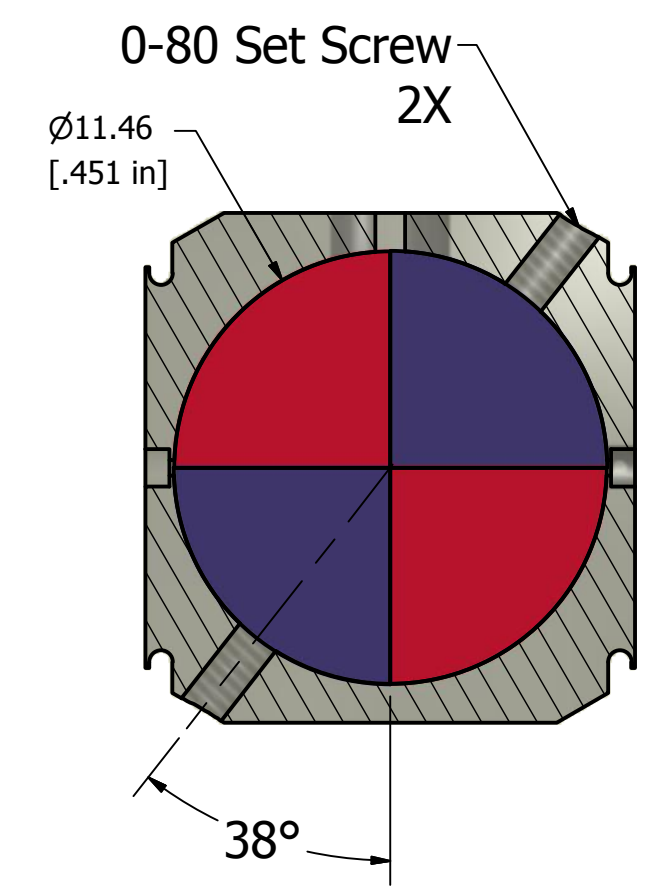
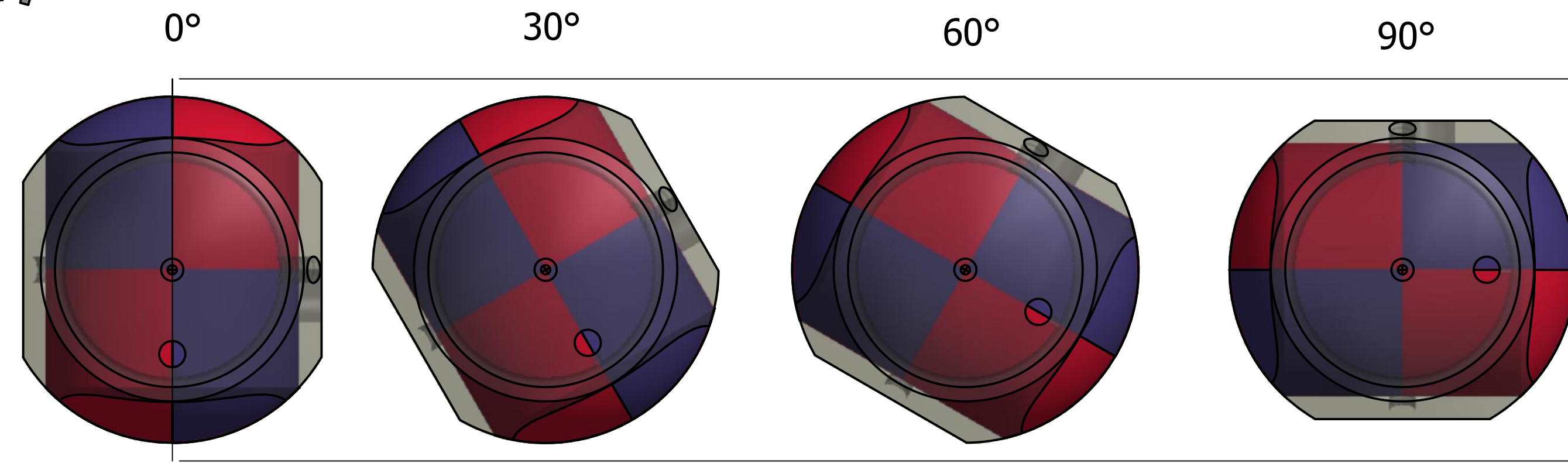


45T Hybrid Magnet System E Probe #1

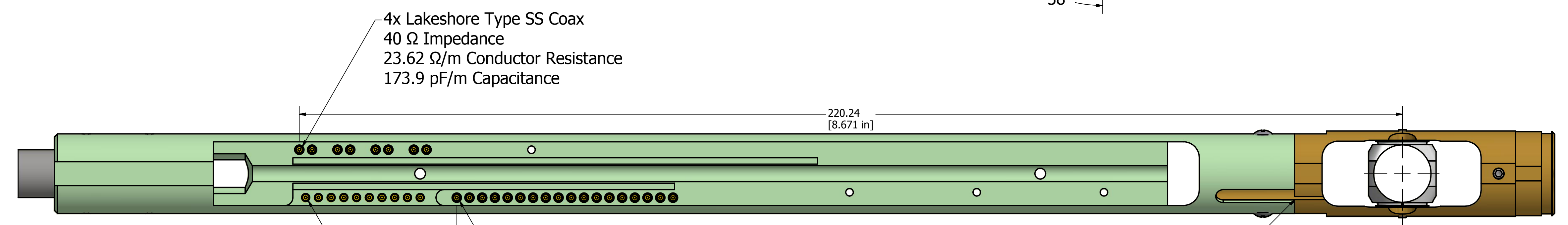
Units in Millimeters [Inch]



Sample Under Rotation



Your Sample Must Fit Within This Volume



4x Lakeshore Type SS Coax
40 Ω Impedance
23.62 Ω/m Conductor Resistance
173.9 pF/m Capacitance

2x W.L. Gore CXN 3369 Coax
50 Ω Impedance
2.5 Ω/m Conductor Resistance
92 pF/m Capacitance
(Tinned and Unterminated)
Under Teflon Wrap

Feedthrough J
Pin 1-4 Cernox
Pin 5-8 RuOX
Pin 9-10 Heater

Feedthrough K
18x PhBr in Twisted Pair

Probe Thermometers

Field Center and 99% Max Field Extent

